



Africa's leading manufacturer and distributor of electronic security products.

Onyx GUIDE

The Onyx system is a wireless, 20 device security system that allows you to control the entire system using the Onyx app. A full range of Xwave²LITE indoor and outdoor detectors are designed to meet your needs in a multitude of scenarios. Onyx is extremely easy to install and set up, and can be linked to your armed response company.

Onyx devices



Onyx wireless Hub 860-1-646



DoorSense 860-22-690



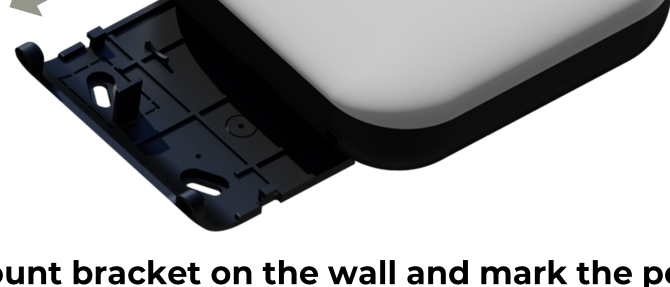
MotionSense 860-05-674



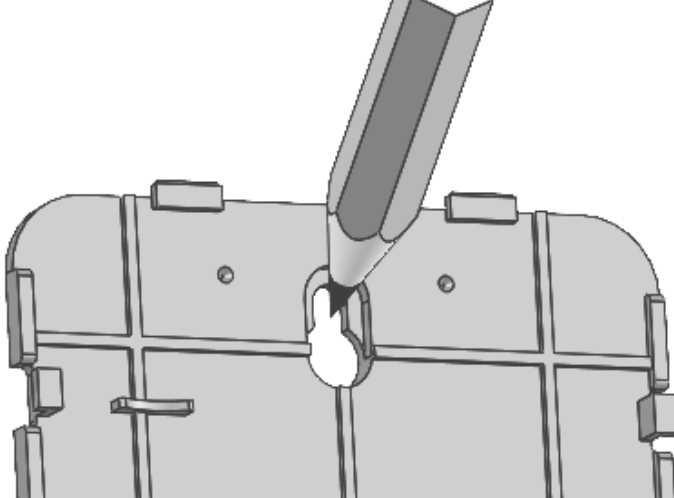
Onyx Remote 860-06-646

Installation

1. Remove the wall mount bracket from the bottom of the Onyx hub.

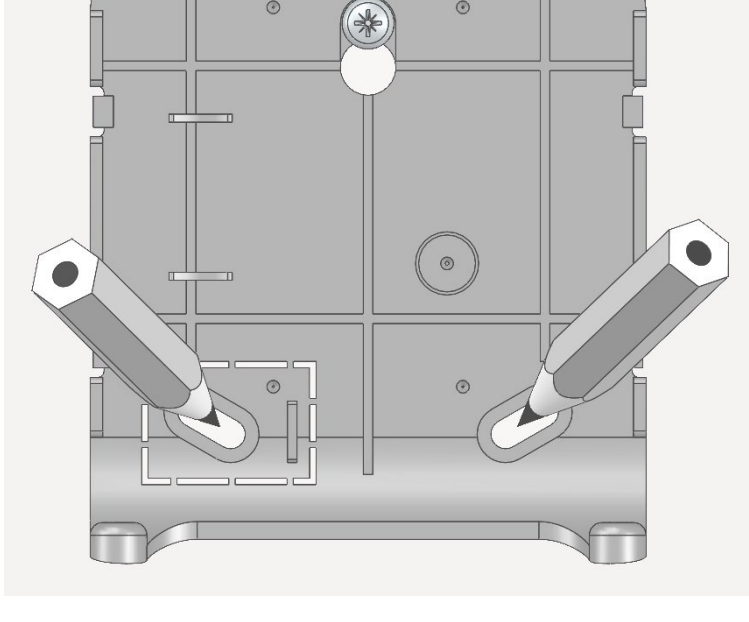


2. Place the wall mount bracket on the wall and mark the position of the keyhole screw placement. (Make sure the wall is flat).



3. Drill the marked spot with a 5mm drill bit, place the wall plug into the hole and screw in a M4 screw from the accessory kit, leaving a gap of approximately 8mm or more.

4. Hook the wall mount bracket onto the screw you have just inserted and hold the bracket against the wall, making sure the top is level. Mark the other 2 holes and remove the bracket.



5. Drill the marked spots with a 5mm drill bit, place the wall plugs into the holes and hook the keyhole of the bracket onto the first screw. Screw in the 2 x M4 screws from the accessory kit into the remaining holes and tighten all 3 to firmly secure the bracket to the wall.

SIM Cards

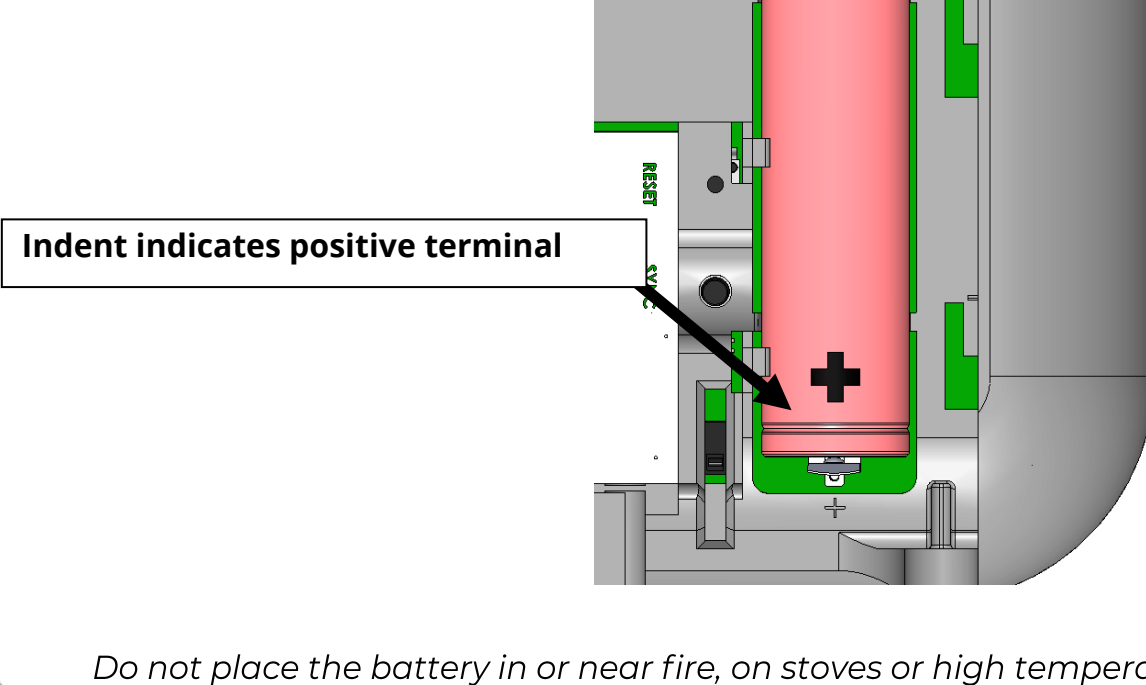
Insert a 4G/LTE sim card into the SIM A slot which is the top sim slot. If a second failover SIM is required, insert the second SIM card into the bottom slot which is SIM B.



Battery

Insert the 18650 Lithium-Ion rechargeable battery. Make sure that the positive and negative terminals are aligned to the positive and negative terminals on the hub.

Note: If the battery does not have markings showing which terminal is positive or negative, the terminal at the end with the indent that runs around the battery, is the positive terminal.

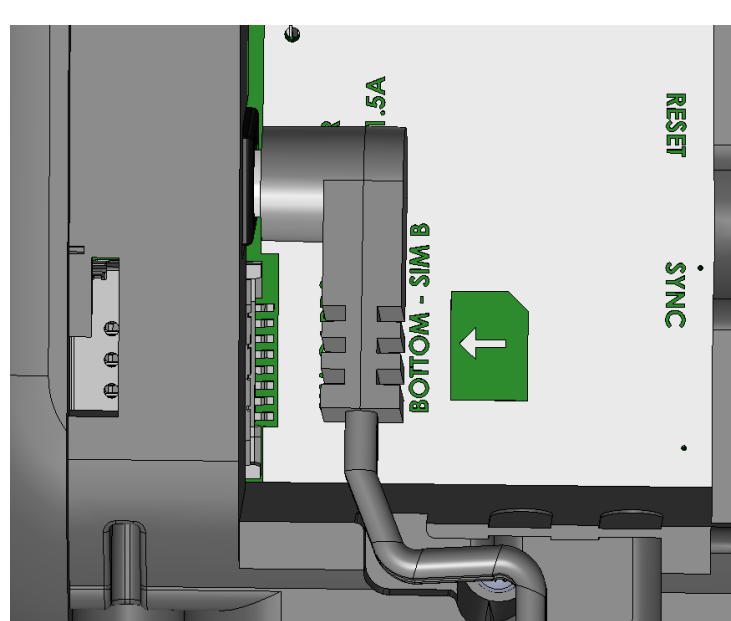


Power

Insert the 5V 2A DC power connector and loop the cable through the wire guide as shown below.

Plug the power supply into the electrical mains supply and switch on.

1. The buzzer will give a short beep.
2. The orange power LED will illuminate.
3. Wait until the blue network LED is illuminated.
4. Once this is illuminated, the system has found the network.



LED Icons

Lock Icon:

- Off – One or more areas are not ready to be armed
- Green On – All areas are ready
- Red On – One or more areas are armed
- Red Fast flash – One or more areas are in alarm
- Red Blink – One or more areas in Exit delay

Network icon:

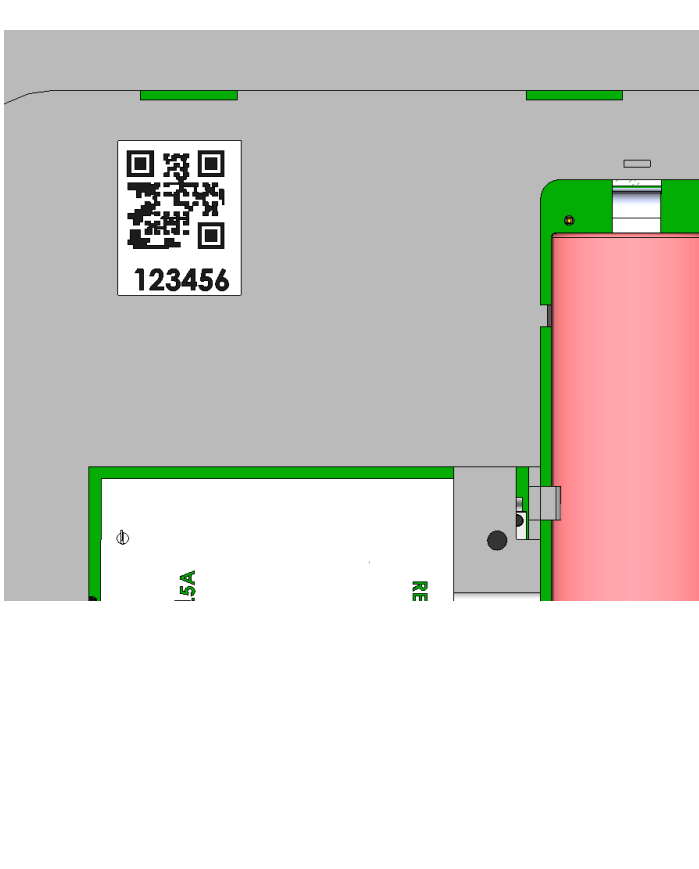
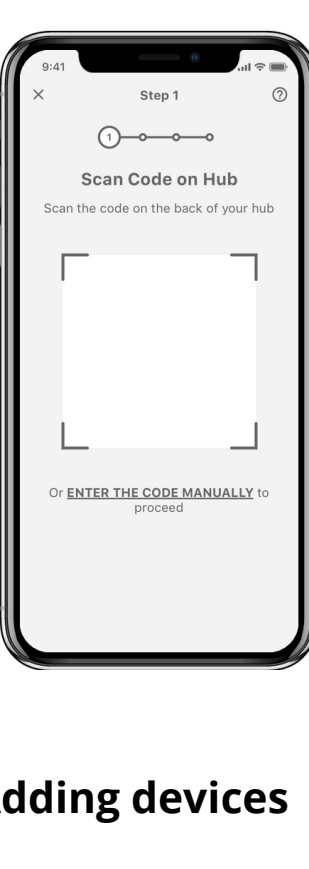
- Off – not connected to platform
- On – connected to platform
- Blink – communicating with platform

Power Icon:

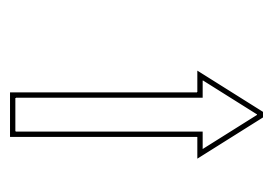
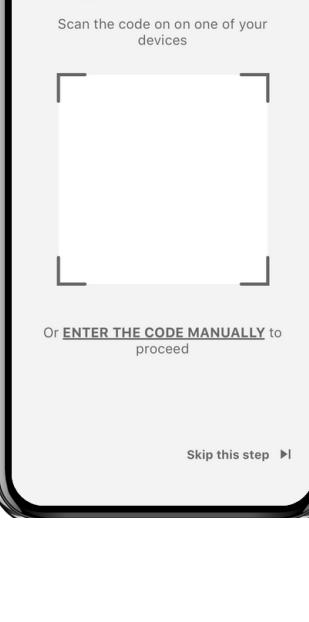
- Blink – AC fail
- Fast flash – Hub battery low/missing
- 1 slow flash – hub tamper
- 2 slow flashes – device tamper
- 3 slow flashes – device low battery

Setup

1. Download the Onyx app from your mobile phones app store.
2. Create a Onyx account.
3. Log in to the Onyx app.
4. Click Add Site
5. Scan the Onyx hub's bar code.
6. Follow the prompts to create the site.



Adding devices



All devices are added via the app by scanning the QR code.

Scan the QR code and follow the prompts. If you require further help the app has a comprehensive help menu.