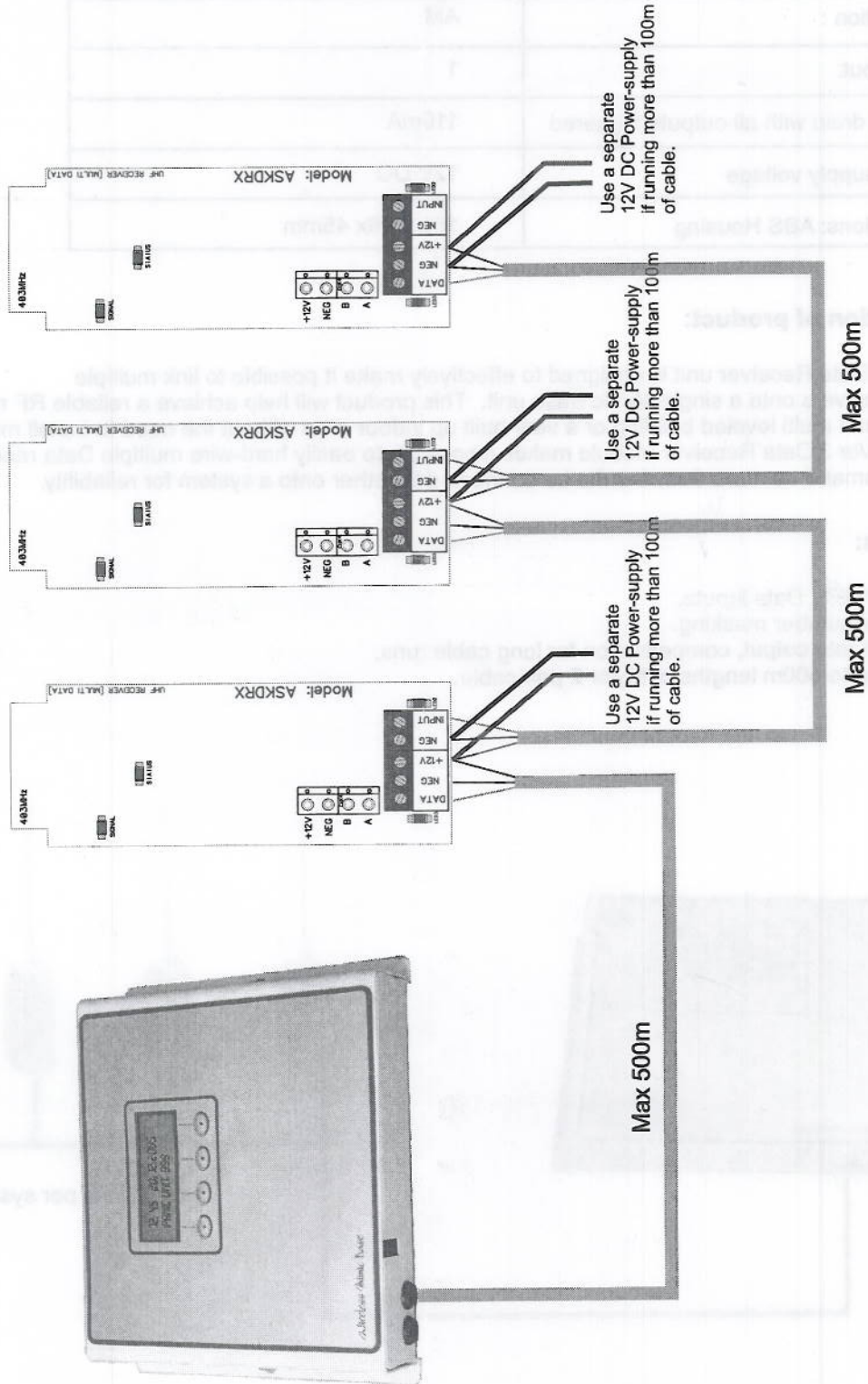


Wiring up 3 x Data Receivers



Specifications:

Encryption type	Keeloq Code-Hopping
Frequency	403.55Mhz
Modulation :	AM
Data input:	1
Current drain with all outputs triggered	110mA
Power supply voltage	12V DC
Dimensions: ABS Housing	150 x 66x 45mm

Description of product:

The Ver3 Date Receiver unit is designed to effectively make it possible to link multiple DATA Receivers onto a single Mimic Base unit. This product will help achieve a reliable RF reception coverage throughout a multi leveled building or a very built up indoor area without the need to install many repeaters. The new Ver 3 Data Receiver module makes it possible to easily hard-wire multiple Data receivers together. We recommend no more than **6 units** be connected together onto a system for reliability.

Features:

- 1 Channel ASK Data inputs.
- Auto serial number masking.
- Multi baud rate output, compensation for long cable runs.
- Can run up to 500m lengths of Mylar 2 pair cable.

