

Introduction

The IDS Xwave Receiver module is a stackable board for the new generation IDS alarm system. The Xwave plug-on module receives the IDS Xwave protocol from IDS Xwave detectors and the new Xwave remote transmitter, stock code: 860-06-645.

NOTE:

Please see the Installer manuals for the alarm system and the detector manuals for programming instructions.

Xwave Plug-on Module

Figure 1: Top side of module

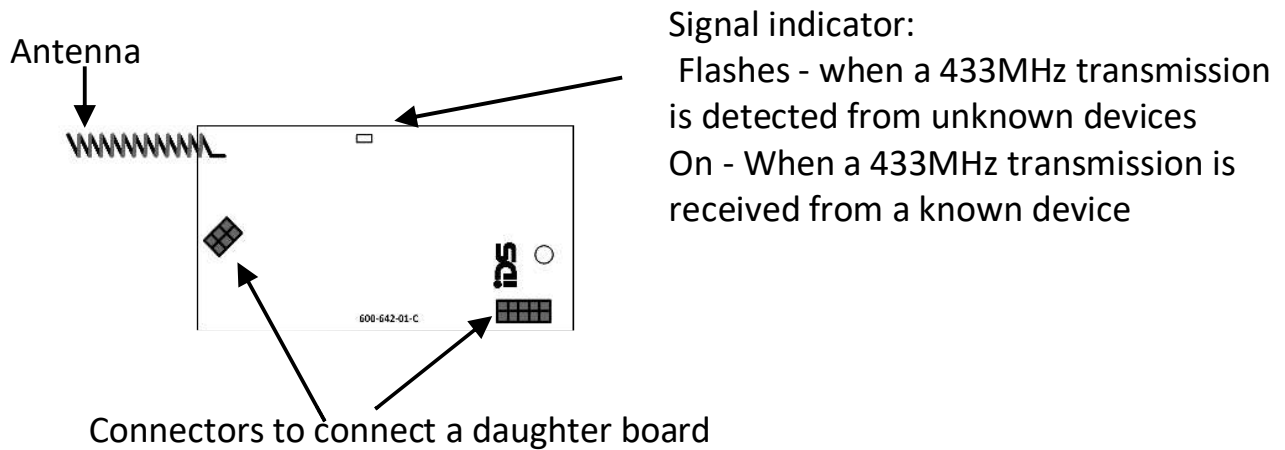
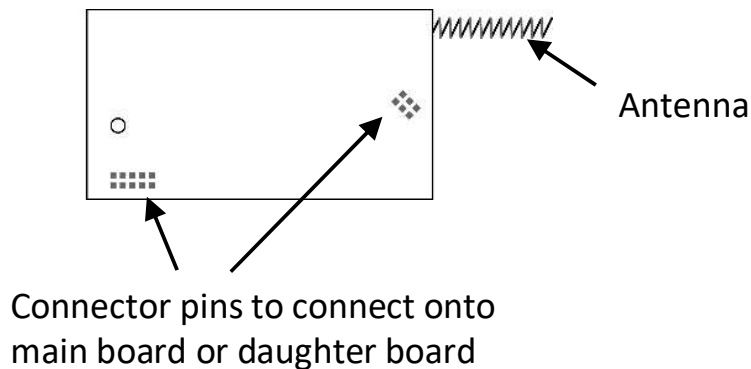


Figure 2: Underneath Xwave module



Specifications

Frequency: 433MHz

Voltage: 9 – 12V

Current: 25mA