

## Features

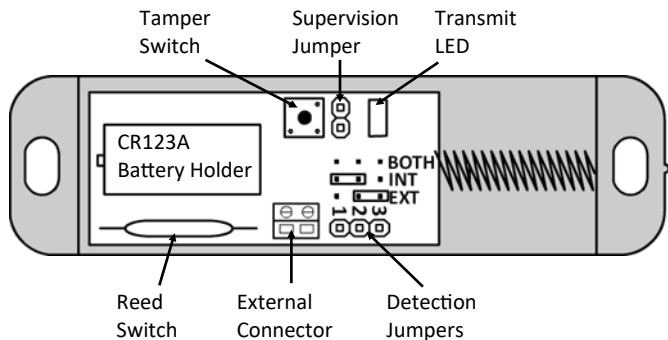
The Xwave Door Sensor is an wireless door sensor that is compatible with any IDS Xwave receiver.

- Xwave wireless technology
- 100m line of sight communication
- Easy to install and configure
- Three modes of operation: Onboard reed switch, external detector or both
- Auto detection of restore signals

**NOTE:** Please see the Installer manuals for the alarm system for programming instructions.

## Xwave Door Sensor

### Hardware



## Installation

1. Mount the wireless door mag to the door frame via the mounting holes. (Making sure that the base does not extrude passed the frame and will catch on the door when it opens or closes.)
2. Close the door and mount the magnet onto the door next to the reed switch. (Make sure that the magnet does not interfere with the wireless door mag when opening and closing the door. Make sure that when opening the door the magnet moves a sufficient distance away from the reed switch to activate the door sensor.)
3. Select the supervision time between supervision signals being sent to the X Series alarm panel. (Every 90 minutes, J1 on (Default & recommended), every 12 hours J1 off.)
4. Insert the, CR123A battery, into the battery holder.

## Transmit LED

The transmit LED is disabled when the cover is on, to conserve battery life.

## Detection Jumpers

Jumper	Detection Option
No Jumper	Both Reed Switch & External detects in series
Pins 1 & 2	External detection only
Pins 2 & 3	Reed Switch detection only

## Technical Data

---

Battery Type: CR123A

Input Voltage: 2.5V to 3.6V

Current: 3 $\mu$ A (Sleep) 8mA (Transmit)

Battery Life: 1.5 Years (200 triggers /day)

Physical Size (mm): 92 x 22 x 22

Frequency: 433.92MHz

Transmit Power: <10dBm

Transmission Distance: 100m (Line of sight)

Modulation Type: OOK/ASK

Operating Temperature: -10°C, +50°C