

Congratulations on your purchase of the IDS805 Serial Interface Module. IDS systems are powerful, versatile and highly configurable systems, which should be installed by a professionally trained installer.

This manual covers the installation of the 805 Key-bus Interface Module.

For IDS805 programming please refer to the IDS805 User Manual.

Features

- Two Zone Inputs 3k3 ohm end of line supervised
- Must be used in conjunction with a HYPY Hub, HYPY IP Connect
- Connects to an IDS805 via the keypad bus
- Two dry contact relay outputs

Function

The function of the 805 Key-bus Interface module is to connect a HYPY Hub or IP connect module to an IDS805 alarm panel to remotely manage and monitoring your alarm system using the HYPY App.

Account Code

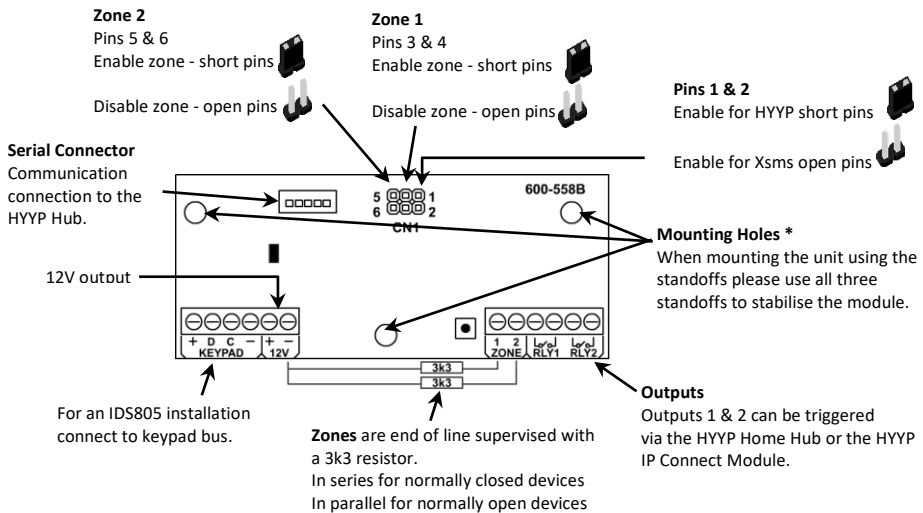
To set the customer account code for the control room to identify the alarm system follow the following steps:

1. Log onto the HYPY platform. (<https://hyyp.trintel.co.za>)
2. Search for the HYPY device by IMEI number and select the *device* type.
3. Select the HYPY Configuration Dashboard tab.
4. Enter the 4 digit account code under IDS805 HYPY Report Code and click on submit changes.

Connection Diagram

Figure 1: IDS805 Key-bus Interface Diagram

Note: When changing jumper settings the unit must be powered down and back up for changes to take effect.



Zones 1 & 2

When zone 1 & 2 on the Key-bus interface module are enabled, they will be allocated automatically to partition 2.

These two zones are not configurable and will report a burglary and a zone restoral.

When using the HYPY Home app these zones will display in partition two and will be armed or disarmed separately from the eight onboard zones on the IDS805 alarm panel.

Note: Generically the IDS805 does not have two partitions and the key-bus interface zones will only be able to be managed via the HYPY Home app.

Please see the IDS805 and HYPY Hub manuals for detailed programming and operation.

Outputs

Outputs 1 and 2 are normally open, dry contact, relay driven outputs that are triggered via the HYPY Home app, downloadable via the Google play store and Apple Store. The relays are rated at 1 amp DC.

Mounting

Note: When mounting the unit using the standoffs please use all three standoffs to stabilise the module. (See figure 1 * above). The third standoff will not mount onto the metal box but will stop the module from breaking when connecting the connectors.